

# PLW201-WHITE

## INGROUND LED IP65



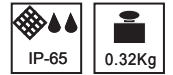
### SPECIFICATION SHEET

PROJECT NAME / No: \_\_\_\_\_

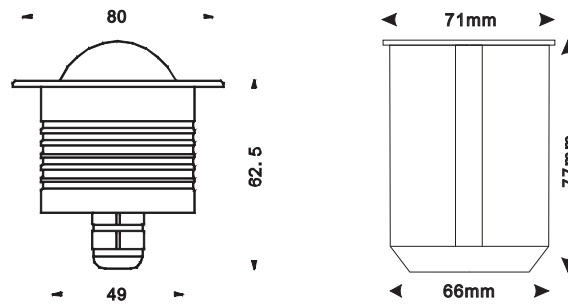
TYPE: \_\_\_\_\_ QTY: \_\_\_\_\_



PLW201



#### FEATURES ::



#### SPECIFICATION ::

- Housing: 12# Die-casting grey powder coated aluminium. T= 60-80µm  
Adhesion of ISO class 1/ASTM class 4B
- Front ring: Stainless steel (SUS 304#, 316# optional)
- Lens: Optical Glass
- Waterproof seal: Rubber seal
- Operating temperature: -20 °C ~ 40 °C
- Mouting sleeve: PVC

Item No.	Light Source	Suitable Lens	Lens Beam Angle (°)	Input Voltage (v)	Typical Operating Current(mA)	Typical Consumption(w)	Typical Luminance (lm)
PLW201-WHITE	1x3W	L0145F042KP	45	24VDC 120/240	24V=110 120V=48 240V=28	24V=2.6 120V=3.3 240V=3.3	Cool white = 31 Warm white = 27